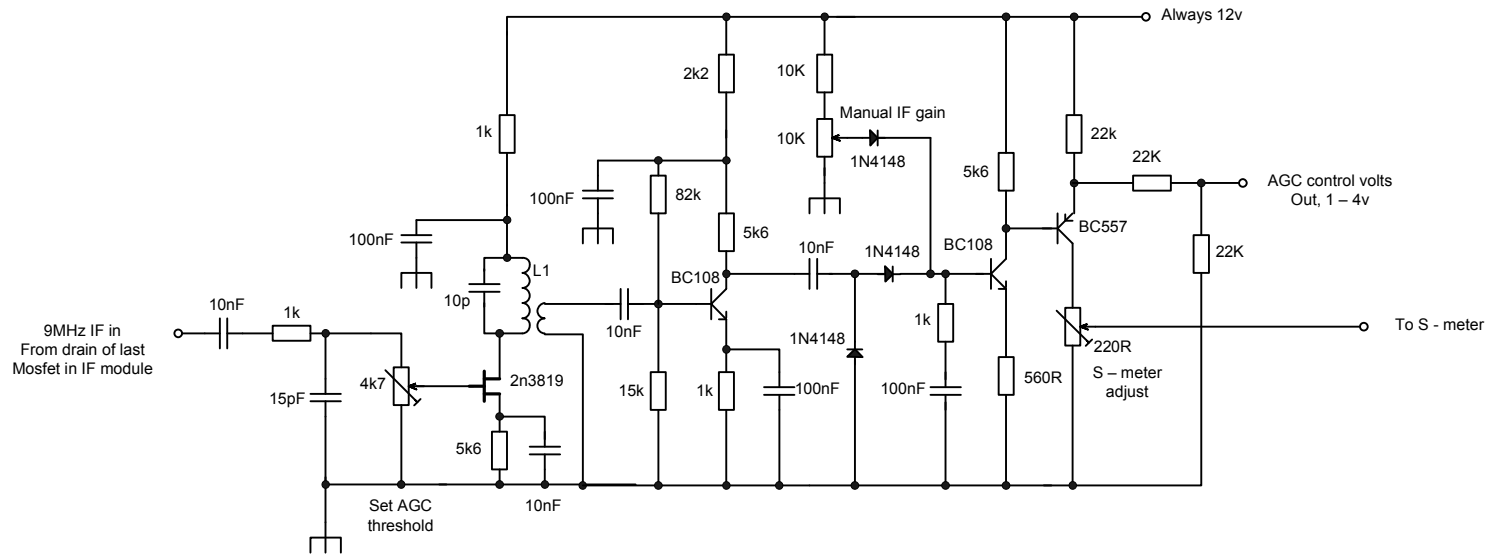


AGC Amplifier



L1 = 10.7 MHz
IF transformer
With additional
10pF across
Primary